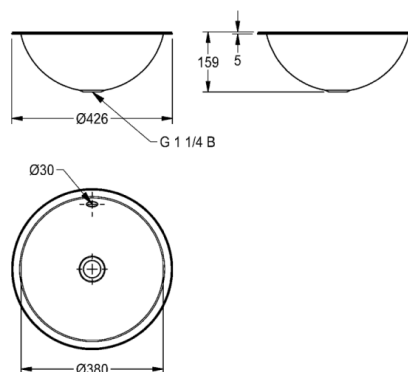


RONDO round sink

MODEL RANGE: RONDO | RNDH381 | 2000056432

Washbasins & Washtroughs | Wash basins



Round inset vanity basin, can be mounted from top or underneath, stainless steel, material thickness 1 mm, bowl diameter 380 mm, with overflow, inclusive. 5/4" overflow kit without waste, stainless steel lugs for underneath mounting are included.

Dimensions 426 x 159 mm (D x H)

Outcut diameter for mounting from top 406 mm

Outcut diameter for mounting from underneath 368 mm

Surface high-polished

Technical data

Bowl height	159.00 mm
Bowl depth	380.00 mm
Bowl width	380.00 mm
Material thickness	1.00 mm
Overall depth	426.00 mm
Overall height	159.00 mm
Overall width	426.00 mm
Waste hole projection	214.00 mm
Material	Stainless steel
Material code	1.4301 Chrome Nickel steel V2A
Tap ledge	No
Waste hole position	Center
Bowl position	Center
Bowl finish	High polished
Bowl shape	Circle
Colour	No colour
Number of bowls	1.00000
Overflow	Yes
Rear upstand	No
Siphon included	No
Splash back	No
Surface finish	High polished
Number of tap holes	0.00000
Waste kit included	No
Waste size	DN 32

KWC. The new
name of Franke
Water Systems

RONDO round sink

MODEL RANGE: RONDO | RNDH381 | 2000056432

Washbasins & Washtroughs | Wash basins

Accessory Optional



Waste kit

2000103551

ERNDX003



Waste kit

2000103407

EANMX002



RONDO waste fitting kit

2000101364

E-RNDX-UEL SET



RONDO reduction for outlet valve

2000101362

E-REDUKTION



Outlet valve

2000101361

E-XINH-VALVE-SS



RONDO outlet valve

2000101365

E-XINH VALVE

Spare Parts



Overflow set

2000103422

EANMX010

KWC. The new name of Franke Water Systems